



Middleton®

Top-mount Kitchen Sink

14633-3

Features

- Double (equal) rectangular bowls.
- Three faucet holes.
- Satin deck and luster bowl finishes.
- SilentShield® sound-absorption technology offers quieter performance.
- 14633-3 = single pack.
- 14633-3F = 50 per pack.
- 33" (838 mm) x 22" (559 mm) x 6" (152 mm)

Material

- 20-gauge stainless steel.

Installation

- Top-mount.

Recommended Accessories

7400 Duostrainer™ Sink Strainer

Components

Product includes:

1150001 Installation Clips



ADA

Codes/Standards

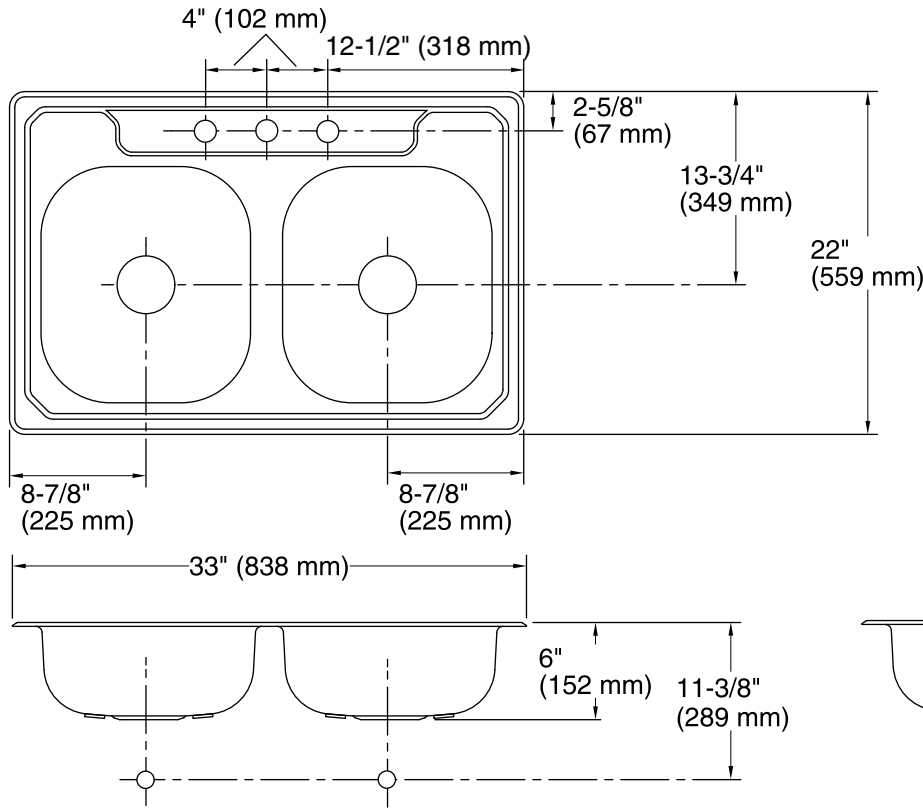
ASME A112.19.3/CSA B45.4

ADA

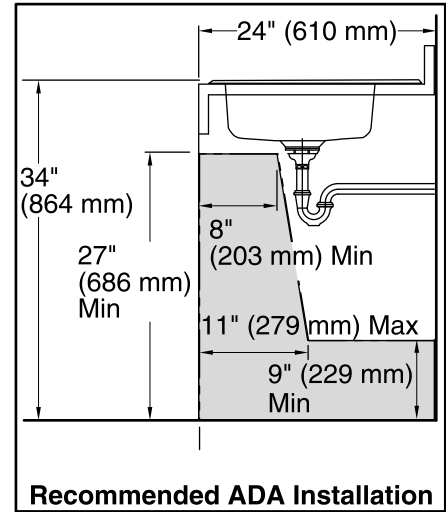
ICC/ANSI A117.1

STERLING® Warranty - Stainless Steel Sinks

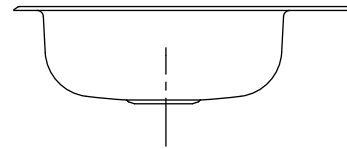
See website for detailed warranty information.



Standard Installation



Recommended ADA Installation



Technical Information

All product dimensions are nominal.

- Bowl configuration: Double equal
- Installation: Top-mount
- Cutout: Top-mount, 32-1/2" x 21-1/2" (826 mm x 546 mm) with 11/16" (18 mm) radius corners
- Min. base cabinet width: 36" (914 mm)
- Bowl area (Left): Length: 13-3/4" (349 mm), Width: 15-1/2" (394 mm), Bowl depth: 6" (152 mm), Water depth: 6" (152 mm)
- Bowl area (Right): Length: 13-3/4" (349 mm), Width: 15-1/2" (394 mm), Bowl depth: 6" (152 mm), Water depth: 6" (152 mm)
- Number of deck holes: 3
- Faucet hole(s): 1-7/16" (37 mm)
- Drain hole: 3-5/8" (92 mm)

Notes

- Install this product according to the installation instructions.
- Measure your actual product for roughing-in details.
- ADA compliant when installed to the specific requirements of these regulations.